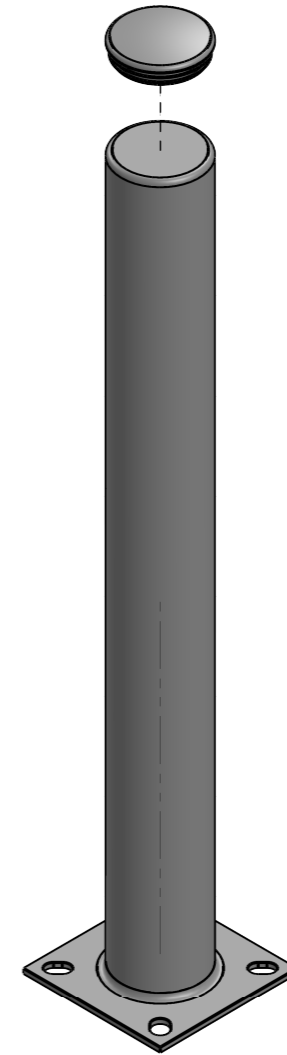
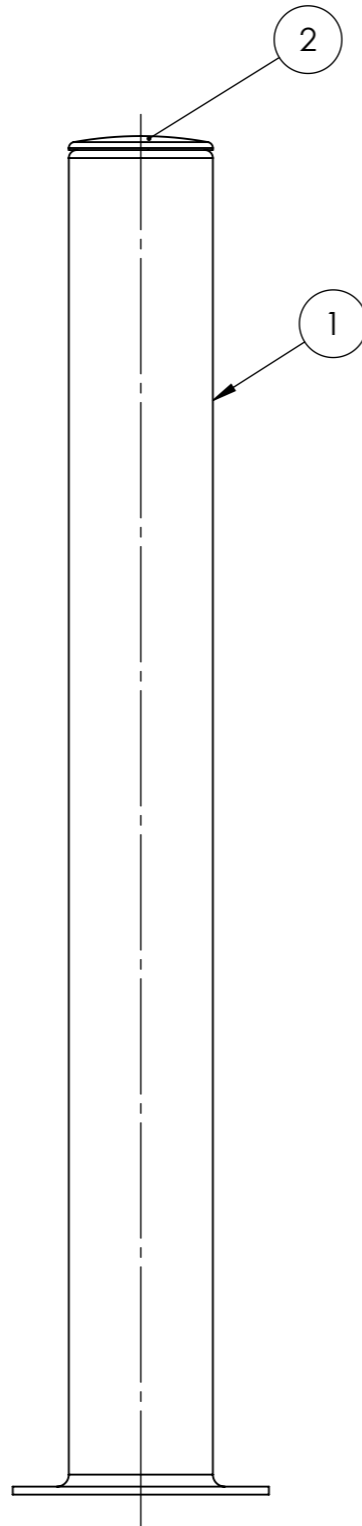
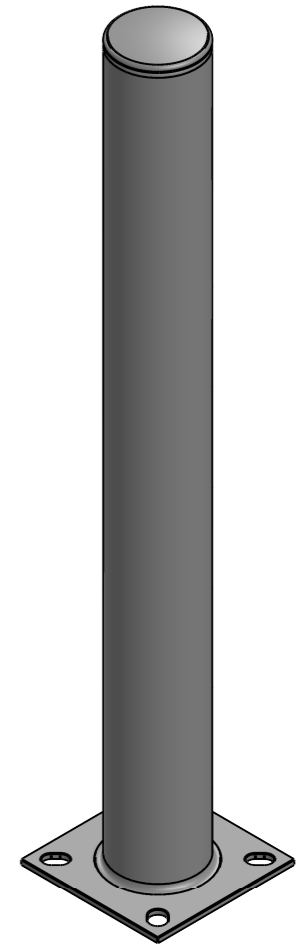



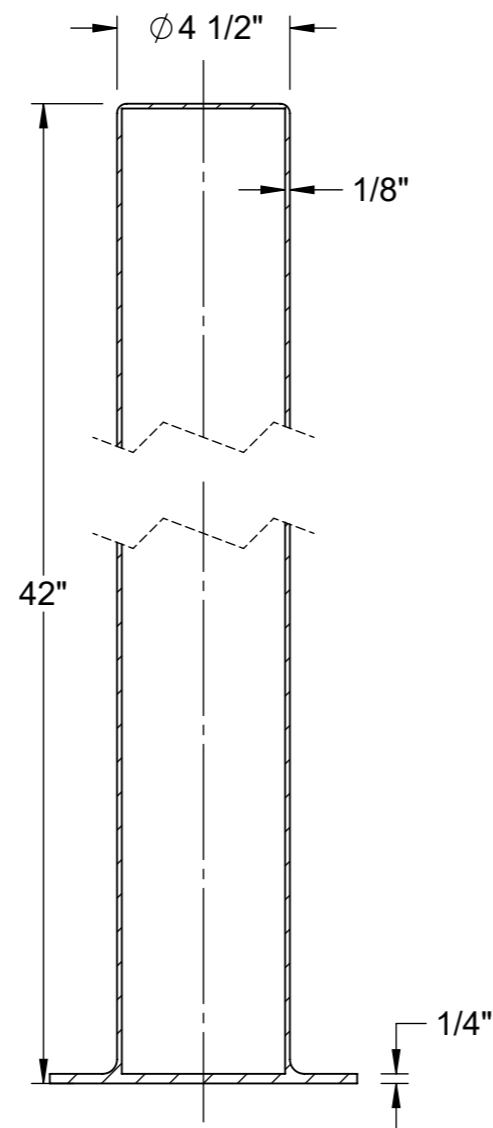
ITEM NO.	PART NUMBER	DESCRIPTION	QTY.
1	WI-42-4.5	BOLLARD POST	1
2	1722-36	END CAP FOR OPEN BOLLARD POST	1



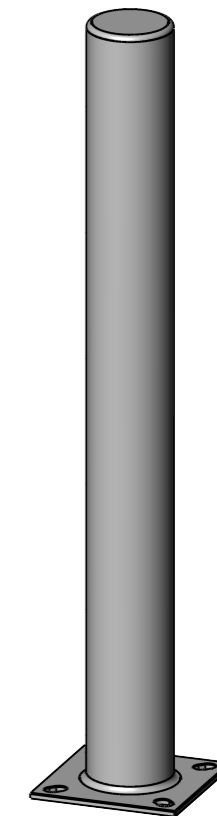
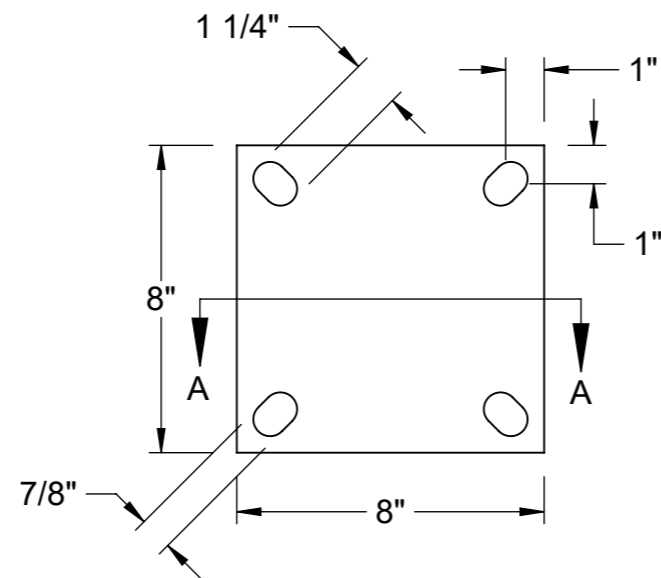
EXPLODED VIEW




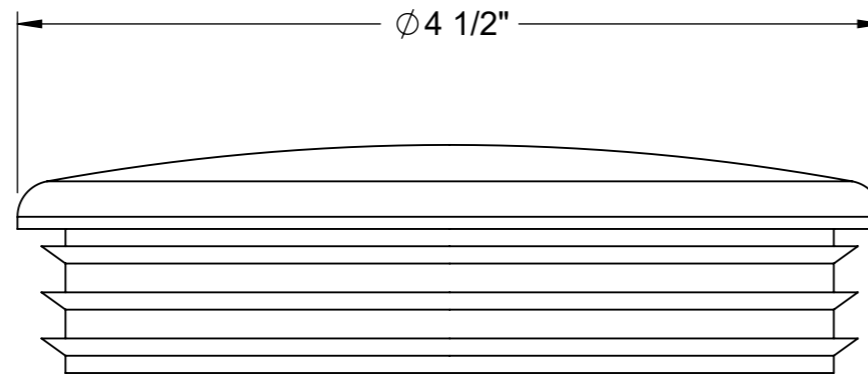
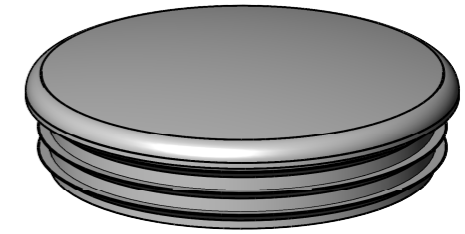
UNLESS OTHERWISE SPECIFIED:	NAME	DATE	 WILLIAMS INDUSTRIES INC. 34481 INDUSTRIAL RD LIVONIA, MICHIGAN 48150	
DIMENSIONS ARE IN INCHES	DRAWN	MDB		24/09/2020
TOLERANCES:	CHECKED			
FINISH: POWDER COATED	ENG APPR.			
MATERIAL: A513 4.5 X 0.125	MFG APPR.			
PROPRIETARY AND CONFIDENTIAL THE INFORMATION CONTAINED IN THIS DRAWING IS THE SOLE PROPERTY OF WILLIAMS INDUSTRIES INC AND MICHIGANBOLLARD.COM. ANY REPRODUCTION IN PART OR AS A WHOLE WITHOUT THE WRITTEN PERMISSION OF WILLIAMS INDUSTRIES INC AND MICHIGANBOLLARD.COM ARE PROHIBITED.	Q.A.			
	STYLE:			
	SHAPES:			
CUSTOMER/TITLE:			BOLLARD POST WITH CAP	
DWG. NO. WI-42-4.5		REV		
SCALE: 1:8	WEIGHT:	SHEET 1 OF 3		




SECTION A-A
SCALE 1 : 5



UNLESS OTHERWISE SPECIFIED:	NAME	DATE	 WILLIAMS INDUSTRIES INC. 34481 INDUSTRIAL RD LIVONIA, MICHIGAN 48150
DIMENSIONS ARE IN INCHES TOLERANCES:	DRAWN	MDB	
FINISH: POWDER COATED	CHECKED		
MATERIAL: A513 4.5 X 0.125	ENG APPR.		
PROPRIETARY AND CONFIDENTIAL	MFG APPR.		
THE INFORMATION CONTAINED IN THIS DRAWING IS THE SOLE PROPERTY OF WILLIAMS INDUSTRIES INC AND MICHIGANBOLLARD.COM. ANY REPRODUCTION IN PART OR AS A WHOLE WITHOUT THE WRITTEN PERMISSION OF WILLIAMS INDUSTRIES INC AND MICHIGANBOLLARD.COM ARE PROHIBITED.	Q.A.		
	STYLE:		
	SHAPES:		
	CUSTOMER/TITLE:		BOLLARD POST
	DWG. NO.	WI-42-4.5	REV
	SCALE: 1:6	WEIGHT:	SHEET 2 OF 3



UNLESS OTHERWISE SPECIFIED: DIMENSIONS ARE IN INCHES TOLERANCES:	DRAWN	NAME	DATE	 WILLIAMS INDUSTRIES INC. 34481 INDUSTRIAL RD LIVONIA, MICHIGAN 48150
	CHECKED	MDB	24/09/2020	
FINISH: POWDER COATED	ENG APPR.			CUSTOMER/TITLE: END CAP FOR OPEN BOLLARD POST
MATERIAL: A513 4.5 X 0.125	MFG APPR.			
PROPRIETARY AND CONFIDENTIAL THE INFORMATION CONTAINED IN THIS DRAWING IS THE SOLE PROPERTY OF WILLIAMS INDUSTRIES INC AND MICHIGANBOLLARD.COM. ANY REPRODUCTION IN PART OR AS A WHOLE WITHOUT THE WRITTEN PERMISSION OF WILLIAMS INDUSTRIES INC AND MICHIGANBOLLARD.COM ARE PROHIBITED.	Q.A.			DWG. NO. 1722-36 REV
	STYLE:			
	SHAPES:			